

ROTATING BEACON

APPLICATIONS

A complete line of rotating beacons for airports and heliports of all sizes. Three models now FAA approved.

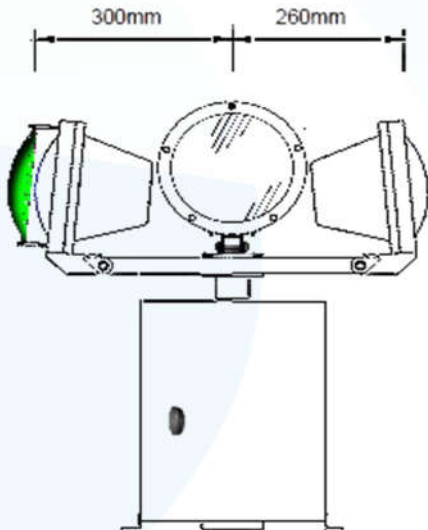
Teksav Teknoloji A.S. offers one of the largest selections of rotating beacons available. With a product visibility range of 30 to 40 miles and a candlepower range from 190,000 to 400,000, operators are sure to find just the right our beacon to meet their needs. All units offer any combination of clear, green, red and amber color filters to meet current specifications.



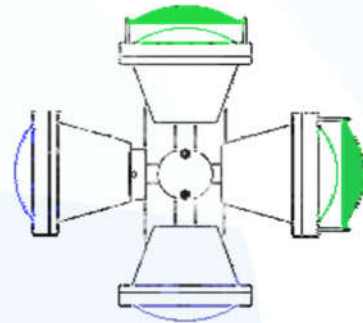
RELATED STANDARDS:

ICAO Annex 14 Vol. I Para. 5.3.3
FAA AC 150/5345-12
STANAG 3316

SIDE VIEW



TOP VIEW



ORDER CODE :

TOWER BEACON

TB- XXX - y - z

Lamp power (400) 500 W

(1000) 1000 W

Lamp piece

(2) 2 lambalı

(4) 4 lambalı

Lamp change

(A) Oto

(M) by

hand

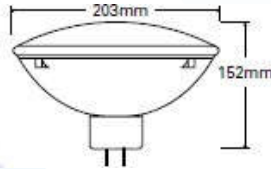
TB1000-2-A two piece 1000W

tower light with automatic changer with lamp

TB- 1000- 4-A four piece 1000W tower light with automatic changer with lamp



PAR 64 BULBS



POWER TRANSMISSION SLIPRING



TECHINICAL SPECIFICATION		
GENERAL	voltage	110V/ 220-240VAC 50 Hz /60Hz
	power	2X1000W 2X500W 4X500W
	size	780x600x500
	weight	<48kg.
LIGHT	opinion	30-40 mil
	beam	horizontal 15 ⁰ vertical 8 ⁰
	Setting range	Yatayda 1-10 ⁰
	power (mum)	2X500W => 2X95.000 cd 2X1000W => 2X180.000 cd
	color	green- white – yellow
	Color temperature	3000 Kelvin
	Spin speed Rpm	10-18 RPM adjustable or 12.5 rpm constant 1/6 HP asynchronous engine
	reflector	Concave heat glass (prefocussed Sealed beam)
	Lamp life	>4000 hour
	Lamp change	By hand or Outomatic electronic controlled changer
OTHER	cooling	Air cooled
	Feedback relays	48 V current flows , lamp fault
	Cabin color	RAL 1003 or orange
	record	Working hour recorder
	Operating temperature	-30°C to +55°C
	Cold kit	Optional cood kit with -55 °C

